

Service manual

Version: 2.00

Ident:

Series:

Part-Number: 1205_A

This part can be ordered.



Chapter

baking chamber MINIMAT 3 240V 60Hz - V:
door, mounted complete MINIMAT 3 240V 60Hz - V:
electric slide MINIMAT IS MINIMAT 3 240V 60Hz - V:
electric slide MINIMAT manual MINIMAT 3 240V 60Hz - V:
frame MINIMAT 3 240V 60Hz - V:
installation-room MINIMAT 3 240V 60Hz - V:
operating panel MINIMAT IS MINIMAT 3 240V 60Hz - V:
operating panel MINIMAT manual MINIMAT 3 240V 60Hz - V:
tank MINIMAT 3 240V 60Hz - V:

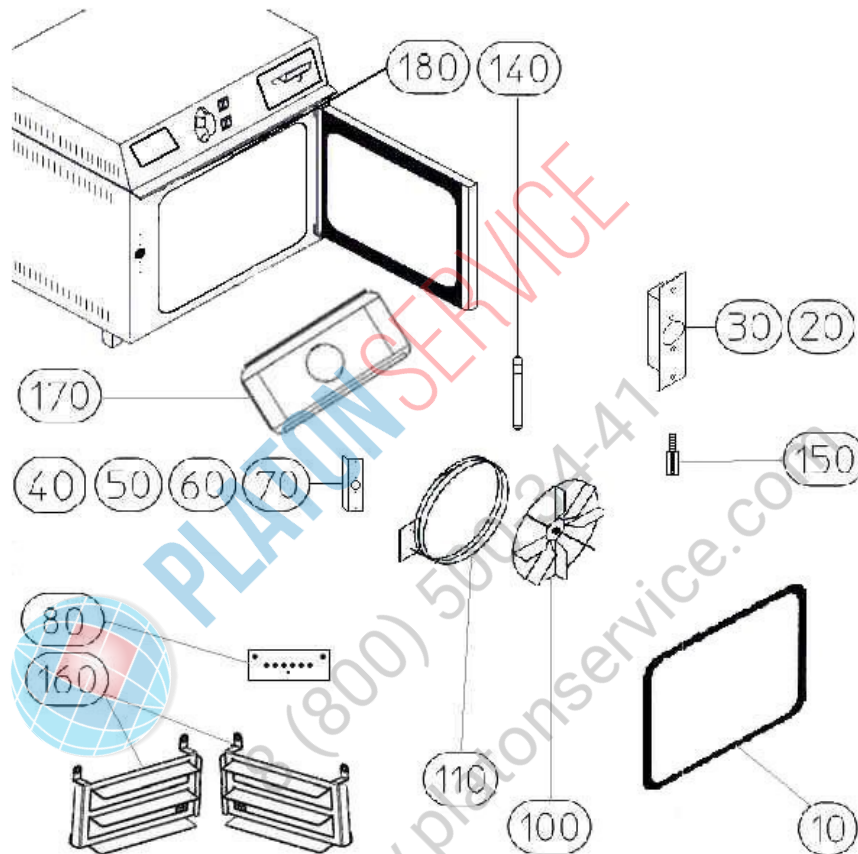
Service manual baking chamber MINIMAT 3 240V 60Hz

Version:

Ident:

Series:

Part-Number:



Chapter

78044 - tray runners complete MINIMAT 3 240V 60Hz - V:

- 401158 - ventilation plate
- [010] - 38337 - door seal MINIMAT
- [020] - 401516 - electrical door closure complete
- [030] - 109183 - door closure Minimat3 mechanical
- [030] - 111698 - mechanical door latch right MIN 3
- [030] - 111699 - mechanical door latch left MIN 3
- [040] - 400973 - mechanical closing sheet, MINIMAT right
- [050] - 400600 - mechanical closing sheet, MINIMAT left
- [060] - 78036 - electrical closing sheet right / door hinge left
- [070] - 78037 - electrical closing sheet left / door hinge right
- [080] - 36545 - seal heater
- [100] - 400654 - fan wheel
- [101] - 42105 - screw
- [110] - 78016 - heater 7500 W
- [140] - 401520 - steaming pipe
- [150] - 78021 - steam pipe connection MINIMAT 2+3
- [170] - 400644 - motor cover
- [180] - 400263 - type K thermocouple

Part: ventilation plate

Part-Number: 401158

Please ensure that the exhaust tube is installed over the heater, to guarantee optimal baking results.



Part: door seal MINIMAT

Part-Number: 38337

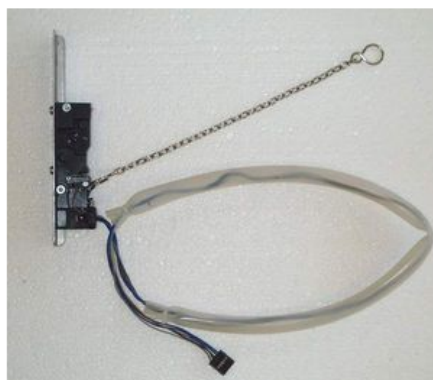
The door seal is glued with transparent heat resistant silicone on the radii, on the edges and on the long stretches. Should this be exchanged the old seal must be removed with the help of a knife. Clean the tracks and remove all silicone remains. Ensure when installing that the seal is completely in the frame. Order the door seal as cut ware. Instructions for installation and length of door seal can be found in the assembly instructions.



Part: electrical door closure complete

Part-Number: 401516

The electrical door closure is in all IS appliances. It will only function when the oven is switched on. Note the Minimat has no safety lock. Burn Danger! When opening the oven door hot steam can escape! There is an emergency release for the event of a defective electrical door opener. To activate the pull on the chain underneath the door lock.



Part: door closure Minimat3 mechanicalPart-Number: 109183

Part: mechanical door latch right MIN 3Part-Number: 111698

Part: mechanical door latch left MIN 3Part-Number: 111699

Part: mechanical closing sheet, MINIMAT right

Part-Number: 400973

**Part: mechanical closing sheet, MINIMAT left**

Part-Number: 400600



Part: electrical closing sheet right / door hinge left

Part-Number: 78036

The ribbon cable connects the circuit board IS 600 and the display. The ribbon cable has no plug. They are soldered to the circuit board and display. Ensure that the ribbon cable does not twist or kink.



Part: electrical closing sheet left / door hinge right

Part-Number: 78037

The ribbon cable connects the circuit board IS 600 and the display. The ribbon cable has no plug. They are soldered to the circuit board and display. Ensure that the ribbon cable does not twist or kink.



Part: seal heater

Part-Number: 36545

When replacing the ring heater the seal must be replaced as well.



Part: fan wheel

Part-Number: 400654

The manufacturer tested the fan wheel for imbalance. Keep away any direct heat from the fan wheel for e.g.. Blow lamps, otherwise the wheel will not run smoothly. An imbalance of the wheel will damage the motor and yield unsatisfactory baking results. The fan wheel is attached to the motor shaft and a fan wheel removal device must be used when replacing it. At any sign of imbalance the fan wheel must be replaced to prevent further damage.



Part: screw

Part-Number: 42105



Part: heater 7500 W

Part-Number: 78016

The ring heater is attached by the securing loops on the welded bolts on the oven wall with the nuts. The heater flange is secured with hexagonal screws. The ring heater can be replaced. When replacing the ring heater the seal must be also be replaced. Work with thread free hexagonal screws to prevent damage that may be caused by heat.



Part: steaming pipe

Part-Number: 401520

Article No. Wolfen : 401920 The steaming pipe sprays the pre-set amount of water from the operator directly in the middle of the fan wheel. By the turning of the fan wheel the moisture is spread evenly around the baking chamber and enhances shine and volume to the baking product. Steaming is always right after loading the oven. When installing the steaming pipe note the following! 1. Screw the counter nut to the middle of the thread. Otherwise the pipe will be fastened too deeply into the supports. The water flow is minimized or completely blocked. 2. Control the firm placement. Always use tools for installation.



Part: steam pipe connection MINIMAT 2+3

Part-Number: 78021



Part: motor cover

Part-Number: 400644

The engine cover must be placed in operation again and secured using the fixing screws.



Part: type K thermocouple

Part-Number: 400263

The thermo element type K is used as an oven probe. The oven probe controls the oven temperature. The working range is between 30 - 250°C. Please note the polarity (+/-) when replacing the thermo elements. To prevent false measurements the probe must be inserted as far as it will go. Ensure that the oven probe feeds through the fan cover into the oven. The probe must not be in contact with the fan cover - false measurements or even deactivating the safety chain may be the result of coming in contact. If the probe is too short and does not fit into the oven, a probe extension is necessary. Read the shown concern to this article.



PLATON SERVICE

8 (800) 500-34-47

www.platonservice.com

Service manual

tray runners complete MINIMAT 3 240V 60Hz

Version:

Ident:

Series:

Part-Number: 78044

This part can be ordered.



Chapter

400439 - tray runners MIN3 left
400440 - tray runners MIN3 right

Part: tray runners MIN3 left

Part-Number: 400439

Part: tray runners MIN3 right

Part-Number: 400440



PLATON SERVICE

8 (800) 500-34-47

www.platonservice.com

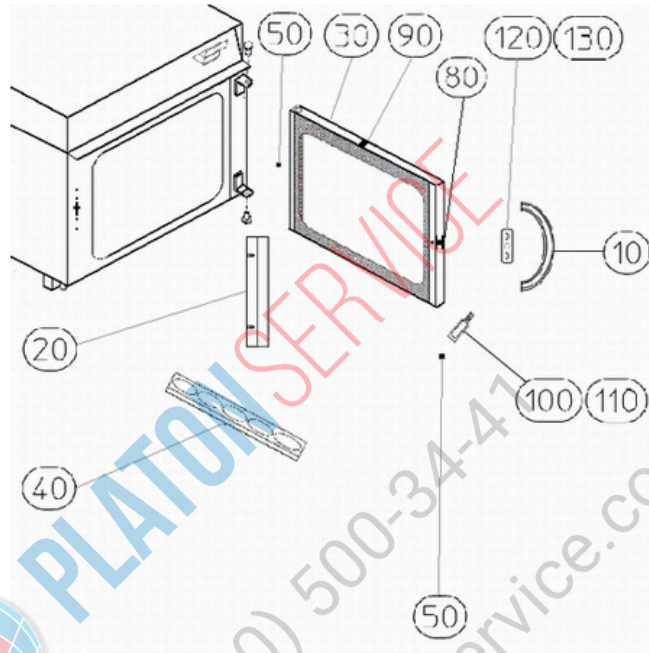
Service manual door, mounted complete MINIMAT 3 240V 60Hz

Version:

Ident:

Series:

Part-Number:



Chapter



brace glass MINIMAT 3 240V 60Hz - V:
lightning metal sheet complete MINIMAT 3 240V 60Hz - V:

- 106067 - sealing pane
- 111807 - sealing pane bonded, MIN3, Minimat 64L
- [010] - 38853 - handle, door MINIMAT
- [030] - 78019 - right door MINIMAT3, bonded; Attention replaced by X1200-400-010
- [030] - X1200-400-010 - right door Min 64 L complete
- [031] - 111531 - door left MINIMAT3, bonded; Attention replaced by X1200-400-011
- [031] - X1200-400-011 - left door Min 64 L complete
- [040] - 31335 - drain gutter MINIMAT2 and MINIMAT3
- [050] - 39092 - blind plug, door MINIMAT
- [060] - 06288 - hinge bolts top
- [080] - 25028 - ball catch MS
- [100] - 400542 - door latch, mechanical
- [110] - 36198 - door latch, electrical
- [120] - 78024 - retaining plate for blocks right
- [130] - 106006 - block holder left
- [130] - 78025 - retaining plate for blocks left; Attention replaced by 106006

Part: sealing pane

Part-Number: 106067

The disc is to change only in whole, since it is glued heat resistant. Removal: Please note the specified sequence of steps! First disconnect the two lens flange head screw (Allen 2.5) on the top of the stove, so you can pull out the electric slide. Clamp the two optical cables from the board. Thread of the light cable and pull it out of the door hinge. Take care, that the cable is the lifting of the door is not damaged or demolished. Loosen with a spanner size 17, the upper hexagonal screw. Secure the door with one hand and loosen the lower hex screw with a spanner size 19th Insert a screwdriver between the powerful and the Glycodur-bush door hinge. Lift the door slightly. The hinge pin with screening jumps out from the guide. Lift the door, and take it down out of the guide. Installation: Position the hinge pin with the triangular grid to the front. Save this slip with his hand. Thread the pin of the first door in the upper door hinge and then into the lower door hinge. The hinge pin into place here. Secure the door with the bottom nut by using this easily by hand screw.

Part: sealing pane bonded, MIN3, Minimat 64L

Part-Number: 111807



Part: handle, door MINIMAT

Part-Number: 38853

Secure the screws with Loctite 243 Article Number 61905. Warning ! Always disconnect power before performing work !



Part: right door MINIMAT3, bonded; Attention replaced by X1200-400-010

Part-Number: 78019

The disk is to exchange only as a whole, since it is bonded to heat. Aging: Please note the specified sequence of steps! First loosen the two hexagonal flange lens screws (Inbus Allen screw 2.5) on the top of the stove, so you can pull out the electric slide. Disconnect the two cables from the circuit board from light. Thread of the light cable and pull it out of the door hinge. Take care, that the cable is the lifting of the door is not damaged or demolished. Loosen with a fork wrench size 17, the upper hexagon. Secure the door with one hand and loosen the lower hex bolt with a spanner size 19th Insert a screwdriver between the stronger Glycodurbuchse and the door hinge. Lift the door slightly. The hinge pin with lock jumps out of the lead. Lift the door in and take it down out of the lead. Installation: Position the hinge pin with the triangular grid to the front. Secure it with the hand to slip. Thread the pin of the first door in the upper door hinge and then into the lower door hinge. The hinge pin locks into place here. Secure the door with the bottom nut by using this easily by hand screw.

Part: right door Min 64 L complete

Part-Number: X1200-400-010

Part: door left MINIMAT3 , bonded; Attention replaced by X1200-400-011

Part-Number: 111531

The disk is to exchange only as a whole, since it is bonded to heat. Aging: Please note the specified sequence of steps! First loosen the two hexagonal flange lens screws (Inbus Allen screw 2.5) on the top of the stove, so you can pull out the electric slide. Disconnect the two cables from the circuit board from light. Thread of the light cable and pull it out of the door hinge. Take care, that the cable is the lifting of the door is not damaged or demolished. Loosen with a fork wrench size 17, the upper hexagon. Secure the door with one hand and loosen the lower hex bolt with a spanner size 19th Insert a screwdriver between the stronger Glycodur-bush and the door hinge. Lift the door slightly. The hinge pin with lock jumps out of the lead. Lift the door in and take it down out of the lead. Installation: Position the hinge pin with the triangular grid to the front. Secure it with the hand to slip. Thread the pin of the first door in the upper door hinge and then into the lower door hinge. The hinge pin locks into place here. Secure the door with the bottom nut by using this easily by hand screw.

Part: left door Min 64 L complete**Part-Number: X1200-400-011****Part: drain gutter MINIMAT2 and MINIMAT3****Part-Number: 31335****Part: blind plug, door MINIMAT****Part-Number: 39092****Part: hinge bolts top****Part-Number: 06288**

In order to correctly set the door, close the door and press with a wrench the door slightly outward. Tighten the upper hexagon with a spanner. The lower door hinge is set in the same way. Align the door bracket and the electric door lock to each other from the center to ensure a smooth running of the door and electric door lock. Check the tightness of the door with the help of a sheet of paper.



Part: ball catch MS

Part-Number: 25028

The ball catch is a holder between the sealing and viewing pane. The ball catch can not be justified and on one side the sealing pane is glued with heat resistant Pactan. The tension level can be adjusted with a screwdriver.



Part: door latch, mechanical

Part-Number: 400542

The door block is fastened with 2 hexagonal screws M5 (wrench size 8) By loosening the screws the door blocks can be optimally adjusted. Tighten the screws once set. Secure the screws with Loctite 243 Article Number 61905.



Part: door latch, electrical

Part-Number: 36198

The door block is fastened with 2 hexagonal screws M5 (wrench size 8) By loosening the screws the door blocks can be optimally adjusted. Tighten the screws once set. Secure the screws with Loctite 243 Article Number 61905.



Part: retaining plate for blocks right

Part-Number: 78024



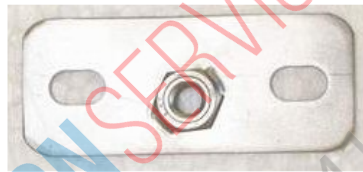
Part: block holder left

Part-Number: 106006



Part: retaining plate for blocks left; Attention replaced by 106006

Part-Number: 78025



PLATON SERVICE

8 (800) 500-34-41

www.platonservice.com

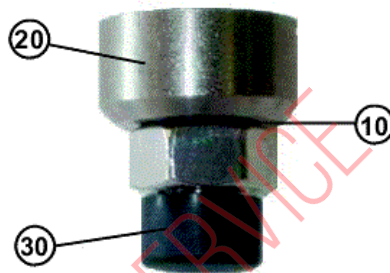
Service manual brace glass MINIMAT 3 240V 60Hz

Version:

Ident:

Series:

Part-Number:



Chapter

[010] - 78027 - threaded pin M8x20

[020] - 78028 - spacer

[030] - 78029 - pressure flap



PLATON SERVICE
8 (800) 500-34-47
www.platonservice.com

Part: threaded pin M8x20

Part-Number: 78027



Part: spacer

Part-Number: 78028



Part: pressure flap

Part-Number: 78029



PLATON SERVICE
8 (800) 500-34-47
www.platonservice.com

Service manual

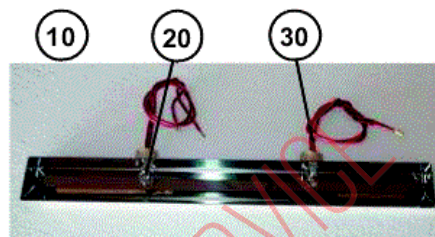
lightning metal sheet complete MINIMAT 3 240V 60Hz

Version:

Ident:

Series:

Part-Number:



Chapter

101731 - halogen lamp 12V 10W

33891 - halogen socket

34312 - porcelain clamp



PLATON SERVICE
8 (800) 500-34-47
www.platonservice.com

Part: halogen lamp 12V 10W

Part-Number: 101731

When changing the halogen lamps please make sure that the lamps do not come in contact with hand sweat. Hand sweat will burn into the glass bulb and reduces the life of the halogen lamp. Please use the appropriate gloves.



Part: halogen socket

Part-Number: 33891

Check the porcelain lamp holders and cables for damage. Please do not squeeze or kink the cable.



Part: porcelain clamp

Part-Number: 34312

The porcelain clamp can not be chipped or damaged. Ensure the halogen lamps are secure.



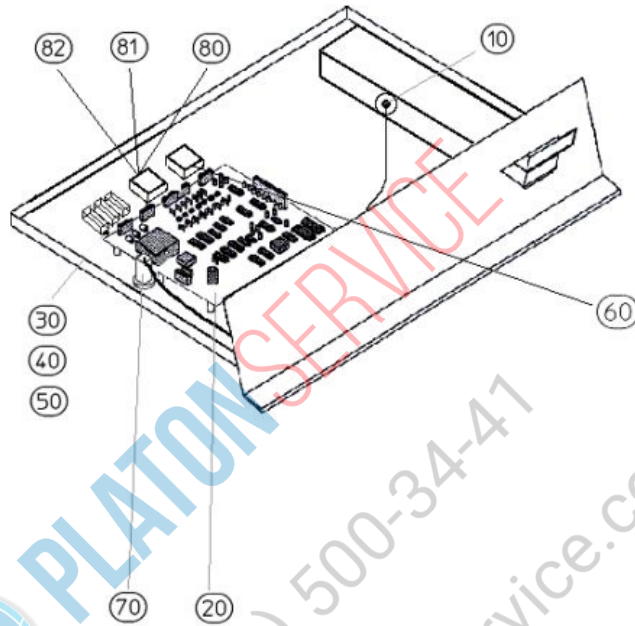
Service manual electric slide MINIMAT IS MINIMAT 3 240V 60Hz

Version:

Ident:

Series:

Part-Number:



Chapter



- 70355 - safety limit switch
- [010] - 401523 - loudspeaker
- [020] - 101106 - power board
- [030] - 34110 - clamp 3L 2.5qmm 280-687
- [040] - 34109 - clamp 3L blue 280-684
- [050] - 34108 - clamp grey 3L 2.5qmm
- [060] - 34100 - transformer
- [070] - 78030 - capacitor 14µF 50Hz
- [080] - 33884 - relay main switch
- [081] - 33581 - relay
- [082] - 33610 - socket 8-pole

Part: safety limit switch

Part-Number: 70355

The temperature safety limit switch (STB) is the overheating protection for the baking chamber. It is activated at a temperature of 360°C. The heater connector switches off and the appliance quits working. Once the oven cools down the STB can be manually reset. The measurement occurs from the fluid in the capillary tube. Ensure when placing the capillary tube that it does not kink. The result is false readings or interruption. Insulate the capillary tube on the critical spots (e.g. circuit board) with silicone hose article number 40074.



Part: loudspeaker

Part-Number: 401523

The loud speaker signal serves as an acoustic signal. For example notification is given for "temperature reached", "end of program". It is controlled by the circuit board.



Part: power board

Part-Number: 101106

Disconnect power before beginning work. This article is fully prepared for servicing purposes. Please read the appropriate "Article Documents". When replacing the electronic circuit board, electrostatic can damage the circuit board and its components. Ensure before handling the electrical circuit board that a grounded metal frame discharges the electrostatic. The electrical circuit board is available as a service circuit board in a complete version under the Order Number 101106 and can also be used in other appliance models. On the circuit board you will find 3 fuses. F2 output L1 (4A tr); F3 output N (4A tr); F4 output transformer 24, 12, 5 V (1,5A tr). The circuit board has Eprom with each current software update and an 8 pole Dip- switch (configurations switch). Attention must be given to which switch the Dip- switch is actively switched. The various switch settings can be found in the assembly instruction.



Part: clamp 3L 2.5qmm 280-687

Part-Number: 34110



Part: clamp 3L blue 280-684

Part-Number: 34109



Part: clamp grey 3L 2.5qmm

Part-Number: 34108



Part: transformer

Part-Number: 34100



Part: capacitor 14 μ F 50Hz

Part-Number: 78030

Attention this base is used in conjunction with the auxiliary relay 33 581 for special voltage 200V.



Part: relay main switch

Part-Number: 33884

The contactor switches the heater on/off.



Part: relay

Part-Number: 33581

Attention this auxiliary relay has special voltage 200V!



Part: socket 8-pole

Part-Number: 33610

Attention this socket is used in connection with the auxiliary relay 33581 with special voltage 200V.



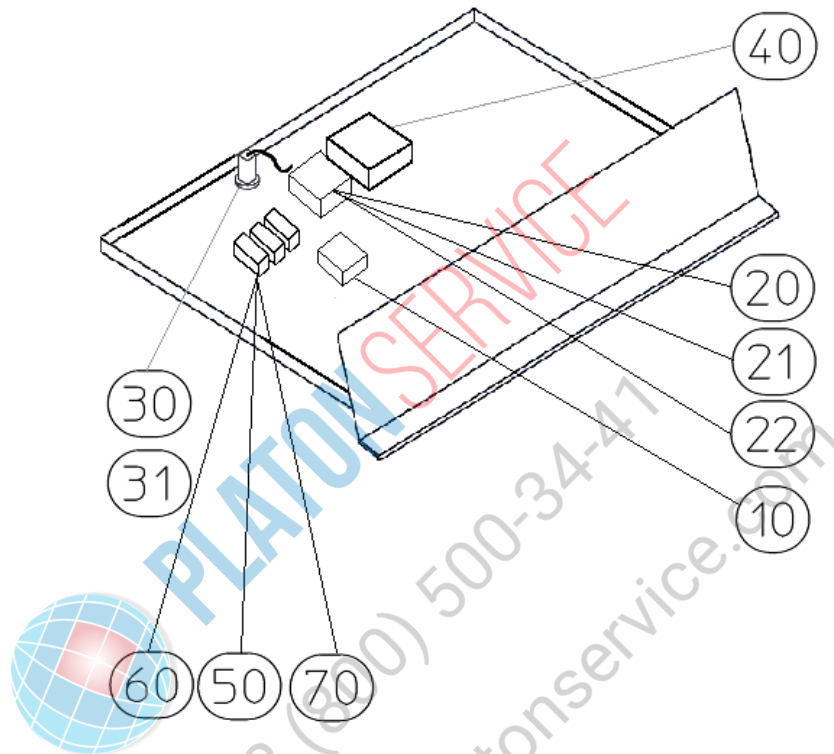
Service manual electric slide MINIMAT manual MINIMAT 3 240V 60Hz

Version:

Ident:

Series:

Part-Number:



Chapter

- [010] - 36304 - cam switch
- [020] - 33884 - relay main switch
- [021] - 33581 - relay
- [022] - 33610 - socket 8-pole
- [030] - 400658 - capacitor 3μF 60Hz
- [040] - 34100 - transformer
- [050] - 34110 - clamp 3L 2.5qmm 280-687
- [060] - 34109 - clamp 3L blue 280-684
- [070] - 34108 - clamp grey 3L 2.5qmm

Part: cam switch

Part-Number: 36304

The cam switch is a timed controlled direction changer of the fanwheel and controls the turning contactor.



Part: relay main switch

Part-Number: 33884

The contactor switches the heater on/off.



Part: relay

Part-Number: 33581

Attention this auxiliary relay has special voltage 200V!



Part: socket 8-pole

Part-Number: 33610

Attention this socket is used in connection with the auxiliary relay 33581 with special volatge 200V.



Part: capaciter 3 μ F 60Hz

Part-Number: 400658

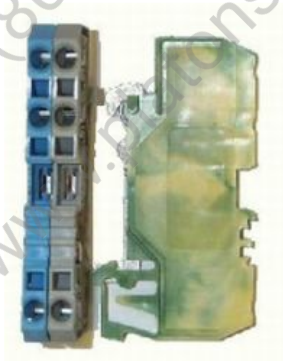
Attention! This condensor has special voltage 200V! Gives the motor running support with each program start. If the condensor is defective the motor will not function.



Part: transformer

Part-Number: 34100



Part: clamp 3L 2.5qmm 280-687**Part-Number: 34110****Part: clamp 3L blue 280-684****Part-Number: 34109****Part: clamp grey 3L 2.5qmm****Part-Number: 34108**

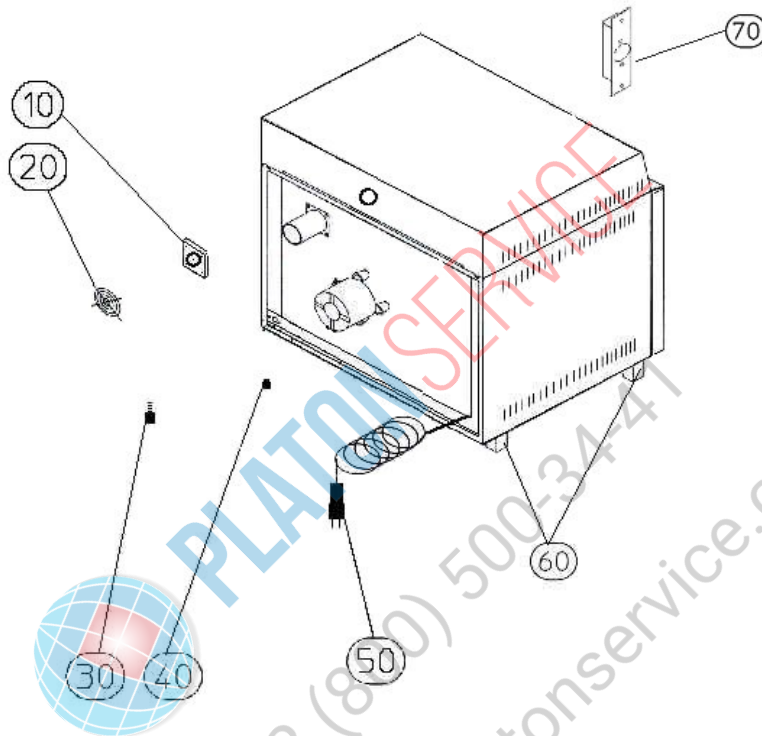
Service manual frame MINIMAT 3 240V 60Hz

Version:

Ident:

Series:

Part-Number:



Chapter

- [010] - 33906 - axial blower 15W
- [020] - 33973 - axial fan cover
- [030] - 25005 - connection cable Euro-Kraft-Plug 400V
- [040] - 33105 - foot cover cap
- [050] - 33104 - rubber separator
- [060] - 405291 - Minimat 3 feet
- [070] - 111698 - mechanical door latch right MIN 3
- [070] - 111699 - mechanical door latch left MIN 3

Part: axial blower 15W

Part-Number: 33906

The axial blower regulates the temperature in the installation room. Warm air is blown outside and cool air blown inside the room. Please note the arrow direction of the air flow when installing the axial flow fan.



Part: axial fan cover

Part-Number: 33973

To avoid injury the axial fan cover must be installed correctly.



Part: connection cable Euro-Kraft-Plug 400V

Part-Number: 25005

3m cable length for single devices, attachments for Vario 4m.



Part: foot cover cap**Part-Number: 33105****Part: rubber separator****Part-Number: 33104****Part: Minimat 3 feet****Part-Number: 405291****Part: mechanical door latch right MIN 3****Part-Number: 111698****Part: mechanical door latch left MIN 3****Part-Number: 111699**

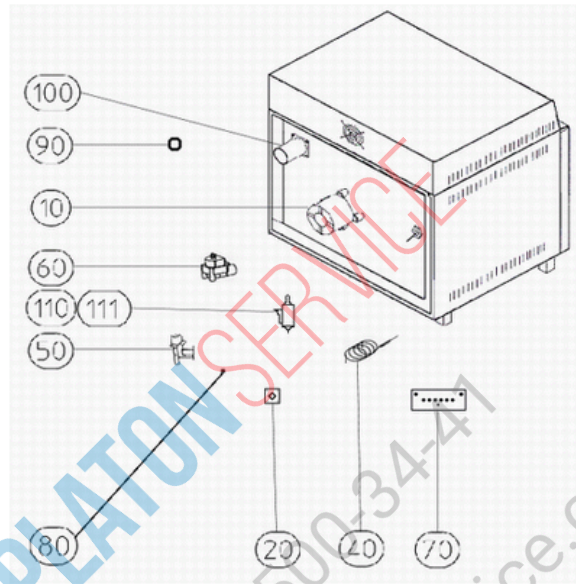
Service manual installation-room MINIMAT 3 240V 60Hz

Version:

Ident:

Series:

Part-Number:



Chapter

- 111324 - solenoid valve with straight 1 / 4 "thread
- [010] - 406370 - motor 200W
- [020] - 78045 - seal motor shaft, graphit
- [040] - 400263 - type K thermocouple
- [050] - 403754 - solenoid valve (flow restrictor) Attention replaced by 111324
- [060] - 36126 - water flow detector flow meter FH20
- [070] - 78046 - heater support
- [080] - 70800 - seal copper
- [090] - 33970 - exhaust air duct gasket DN 50 to 26632
- [100] - 400071 - exhaust tube
- [111] - 401326 - water tank pump special voltage model

Part: solenoid valve with straight 1 / 4 "thread

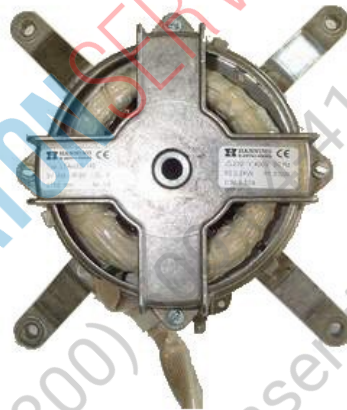
Part-Number: 111324

It is necessary to clean the dirt sieve of the solenoid valve regularly. Particles in the water line will stick to the sieve and interrupt the water flow. Please note the maximum water pressure and other warnings from the data sheets regarding the water connection. The solenoid valve works with a flow pressure of 150 - 600 kPa. You can test the solenoid valve function in the PC - Tool - Test. Attention the test is a continued test and this function is not protected from overload.

Part: motor 200W

Part-Number: 406370

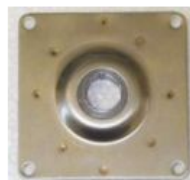
The motor is secured by four M6 nuts. When tightening the nuts to be observed, that this is done diagonally to avoid tension. Please remember that is exchanged with each engine development, the motor shaft seal.



Part: seal motor shaft, graphit

Part-Number: 78045

The motor shaft seal is a clean lead and seal against moisture at the back of the oven which could lead to disturbances. Therefore the following must be observed: Tighten the sealing plate after the motor is fastened, change seal after every removal of the motor.



Part: type K thermocouple

Part-Number: 400263

The thermo element type K is used as an oven probe. The oven probe controls the oven temperature. The working range is between 30 - 250°C. Please note the polarity (+/-) when replacing the thermo elements. To prevent false measurements the probe must be inserted as far as it will go. Ensure that the oven probe feeds through the fan cover into the oven. The probe must not be in contact with the fan cover - false measurements or even deactivating the safety chain may be the result of coming in contact. If the probe is too short and does not fit into the oven, a probe extension is necessary. Read the shown concern to this article.



Part: solenoid valve (flow restrictor) Attention replaced by 111324

Part-Number: 403754

It is necessary to clean the dirt sieve of the solenoid valve regularly. Particles in the water line will stick to the sieve and interrupt the water flow. Please note the maximum water pressure and other warnings from the data sheets regarding the water connection. The solenoid valve works with a flow pressure of 150 - 600 kPa. You can test the solenoid valve function in the PC - Tool - Test. Attention the test is a continued test and this function is not protected from overload.



Part: water flow detector flow meter FH20

Part-Number: 36126

The flow meter measures the water flow amount. When installing, pay attention to the polarity +/- of the impulse meter (Hall sensor).



Part: heater support

Part-Number: 78046

The counter holder of the heater is to prevent deformation of the oven when the heater is on.



Part: seal copper

Part-Number: 70800

The copper seal ring seals the steaming system. Place correctly when installing.



Part: exhaust air duct gasket DN 50 to 26632

Part-Number: 33970

The exhaust air must always exit upwards. Make sure that no steam reaches the electrical slide. The seal must be exchanged when discoloration or cracks occur.



Part: exhaust tube

Part-Number: 400071

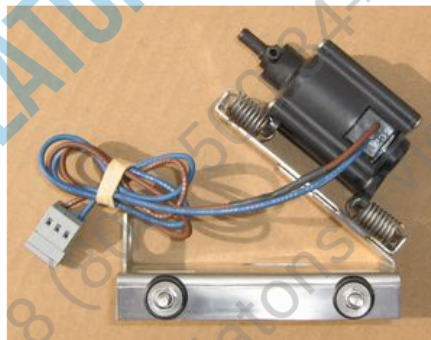
The exhaust air must always exit upwards. Make sure that no steam reaches the electrical side. The seal must be exchanged when discoloration or cracks occur.



Part: water tank pump special voltage model

Part-Number: 401326

In mobile appliances with a tank the pump for the steamer is 230 V controlled. It gives the required pressure to spray water in the baking chamber.



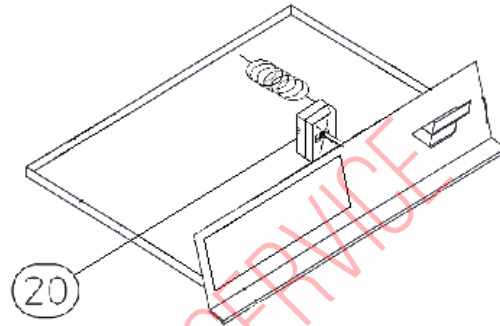
Service manual operating panel MINIMAT IS MINIMAT 3 240V 60Hz

Version:

Ident:

Series:

Part-Number:



Chapter

400982 - operating unit IS 500 for MINIMAT 3 240V 60Hz - V:



PLATON SERVICE
8(800) 500-34-41
www.platonservice.com

Service manual operating unit IS 500 for MINIMAT 3 240V 60Hz

Version:

Ident:

Series:

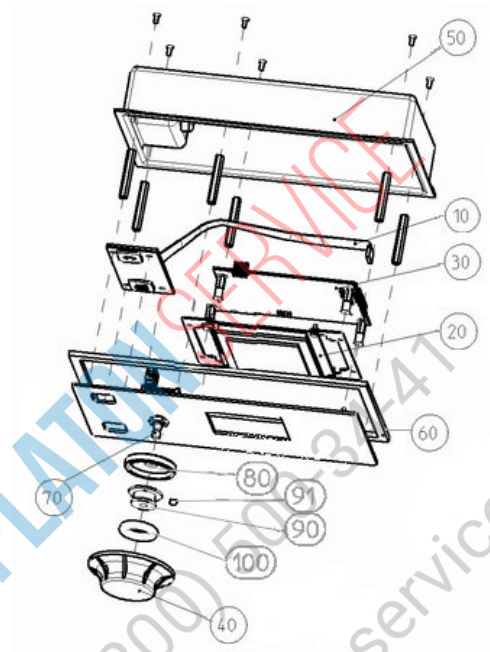
Part-Number: 400982

This part can be ordered.



Chapter

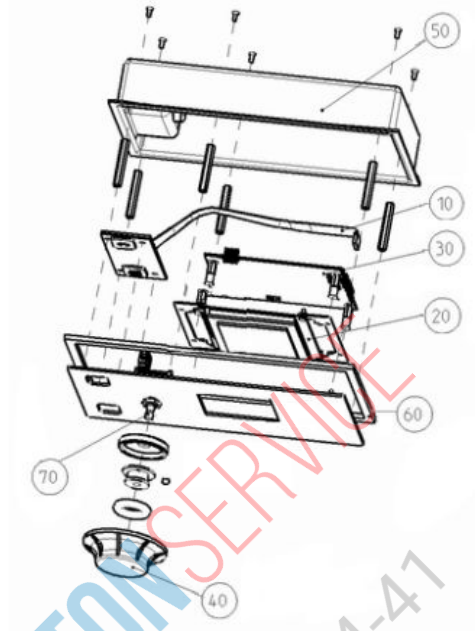
- [000] - 400982 - control unit IS 500 Minimat
- [010] - 101563 - key block
- [020] - 100804 - display IS500 with circuit board
- [030] - 105564 - electronic circuit board IS500
- [040] - 102685 - knob grey
- [050] - 102450 - frame IS
- [060] - 102449 - seal for frame IS
- [070] - 100591 - incremental encoder
- [080] - 104353 - ribbon cable for IS500
- [090] - 102806 - USB port with data wire
- [091] - 101434 - adapter_D54x22
- [100] - 101435 - O-ring_D16x7_NBR60



8 (800) 503-3471
www.platonservice.com

Part: control unit IS 500 Minimat

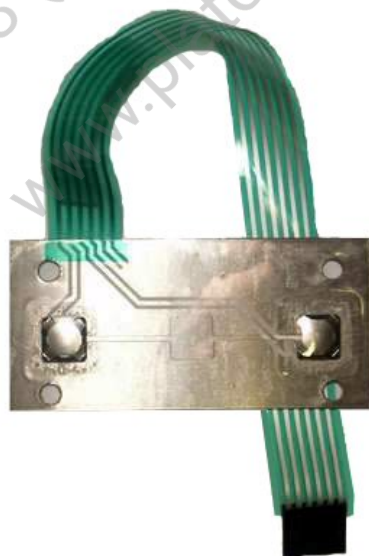
Part-Number: 400982



Part: key block

Part-Number: 101563

Ensure that the all contact to the connector is clean and free of grease. Its function can be tested with the Wiesheu PC-Tool/Test/Navigate.



Part: display IS500 with circuit board

Part-Number: 100804

This article has been replaced by Articles 104 771, but is not fully compatible. Please follow the spare part instruction "EH_196-0511-005 Display IS500"



Part: electronic circuit board IS500

Part-Number: 105564

When exchanging the electronic circuit board, please note that electrostatic charge and its components can cause major damage. Therefore please make sure that before coming in contact with the circuit board that the circuit board and its metal frame are completely discharged. Check the DIP - switch setting and the input resistance as in the enclosed document. If interference occurs when transferring data from the PC to the Control (dark display), use a flash cable and the programs flash writer to re-write the program. Read the operating-instructions for "Flash-Tool".



Part: knob grey

Part-Number: 102685

Depending on the version, the button "silver" or "grey" is used.



Part: frame IS

Part-Number: 102450

Check that all securing screws are present on the frame. In addition check the grounding to frame connection



Part: seal for frame IS

Part-Number: 102449

The seal must be correctly installed to avoid moisture admittance.



Part: incremental encoder

Part-Number: 100591

Check the incremental sensor using the function test in PC-Tool. To recall function test read the documents to the article.



Part: ribbon cable for IS500

Part-Number: 104353

The ribbon cable connects the circuit board IS 600 and the display. The ribbon cable has a plug on both sides. Ensure that the ribbon cable does not twist or kink.



Part: USB port with data wire

Part-Number: 102806

USB interface with USB connection "B". Data interface to PC.



Part: adapter_D54x22

Part-Number: 101434



Part: O-ring_D16x7_NBR60

Part-Number: 101435



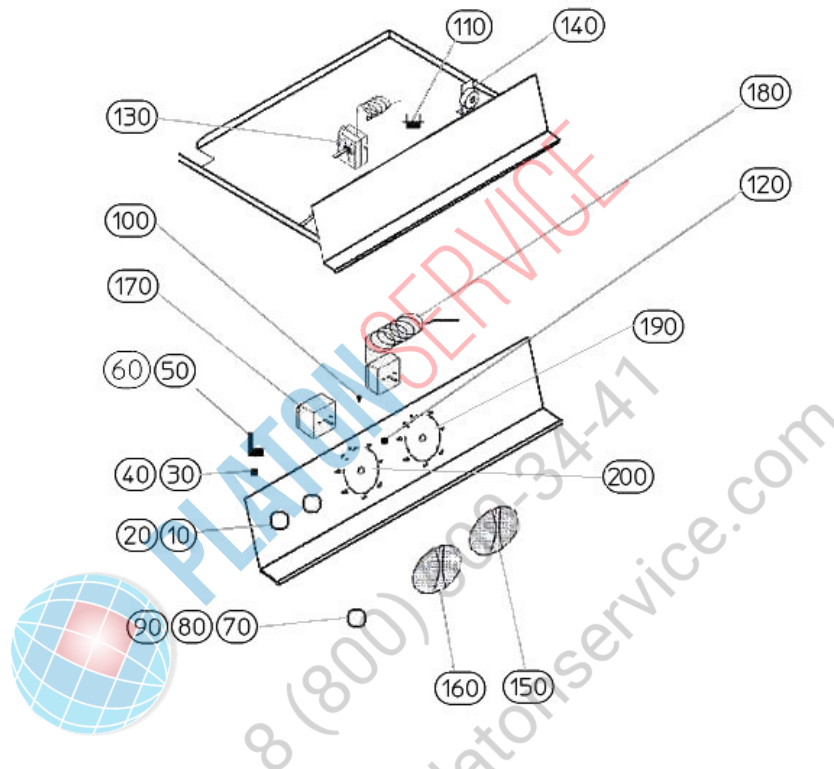
Service manual operating panel MINIMAT manual MINIMAT 3 240V 60Hz

Version:

Ident:

Series:

Part-Number:



Chapter

- [010] - 401082 - illuminated key
- [020] - 401083 - illuminated notch (ON / OFF)
- [030] - 401049 - illuminated key LED 12-30 V
- [040] - 400772 - illuminated key LED 230 V
- [050] - 400771 - illuminated key attachment adapter
- [060] - 400773 - illuminated key closing contact
- [070] - 400774 - illuminated push button "On-/Off"
- [080] - 400778 - illuminated push button "water"
- [090] - 400781 - illuminated push button "white"
- [100] - 35151 - glow lamp (heater)
- [110] - 400342 - safety limit switch
- [120] - 33004 - control lamp yellow
- [130] - 70355 - safety limit switch
- [140] - 36058 - buzzer
- [150] - 36691 - knob timer
- [160] - 34862 - knob thermostat
- [170] - 105687 - time switch; Attention replaced by 110572
- [170] - 110572 - time switch WM 4-10
- [180] - 37981 - capillary tube regulator
- [190] - 9200-300-003 - operating foil time scala
- [200] - 9200-300-002 - operating foil time scala

Part: illuminated key

Part-Number: 401082

The illuminated key does not click in. It only functions as long as it is pressed e.g. steaming



Part: illuminated notch (ON / OFF)

Part-Number: 401083

The illuminated key clicks in when in use. To deactivate the key it must be pressed. For example on/off



Part: illuminated key LED 12-30 V

Part-Number: 401049



Part: illuminated key LED 230 V

Part-Number: 400772

LED only with manual version as well as IS400 version with water tank.



Part: illuminated key attachment adapter

Part-Number: 400771



Part: illuminated key closing contact

Part-Number: 400773

By locking the switch the contactor tightens and the normally open contact closes the inductor circuit as long as the power is supplied.



Part: illuminated push button "On-/Off"

Part-Number: 400774



Part: illuminated push button "water"

Part-Number: 400778



Part: illuminated push button "white"

Part-Number: 400781



Part: glow lamp (heater)

Part-Number: 35151



Part: safety limit switch

Part-Number: 400342

The thermostat knob regulates the post running of the fan to prevent the electrical components from overheating.



Part: control lamp yellow

Part-Number: 33004

The control lamp illuminates for as long as the heater heats. When the set temperature is reached the control lamp shuts off.



Part: safety limit switch

Part-Number: 70355

The temperature safety limit switch (STB) is the overheating protection for the baking chamber. It is activated at a temperature of 360°C. The heater connector switches off and the appliance quits working. Once the oven cools down the STB can be manually reset. The measurement occurs from the fluid in the capillary tube. Ensure when placing the capillary tube that it does not kink. The result is false readings or interruption. Insulate the capillary tube on the critical spots (e.g. circuit board) with silicone hose article number 40074.



Part: buzzer

Part-Number: 36058

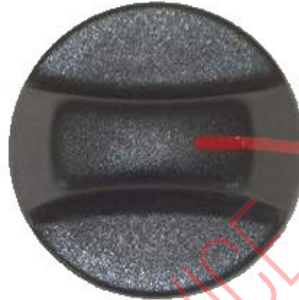
An acoustic signal is given at the end of the timer. (Buzzer 230 V)



Part: knob timer

Part-Number: 36691

Please note when ordering: Thermostat dial and timer dial have different connectors and are not compatible



Part: knob thermostat

Part-Number: 34862

Please note when ordering: Thermostat dial and timer dial have different connectors and are not compatible



Part: time switch; Attention replaced by 110572

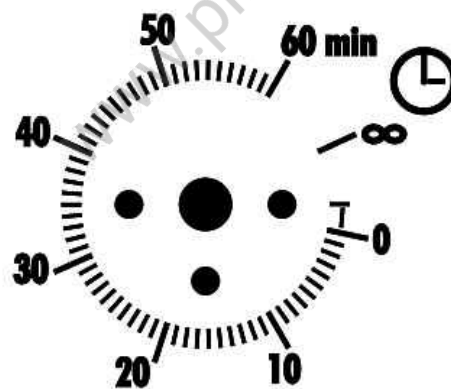
Part-Number: 105687

The timer switches the heater contact off. If a short time (1-20 mins) is set the timer is turned all the way to the end and then back to the required time.



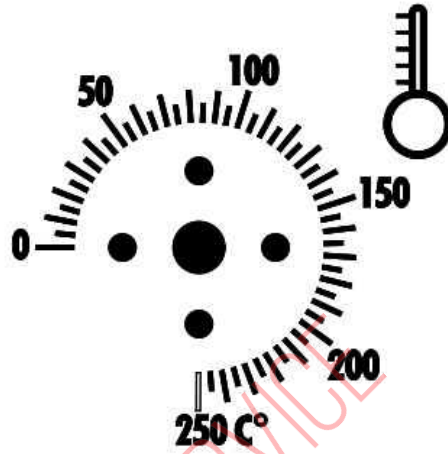
Part: time switch WM 4-10**Part-Number: 110572****Part: capillary tube regulator****Part-Number: 37981**

The thermostat measures the oven temperature. The fluid in the capillary tube measures the temperature. Be sure not to kink the capillary tube when placing it the result will be a false reading or interruption. Insulate the capillary tube on critical spots (e.g. circuit board) with silicone hose article number 40074.

**Part: operating foil time scala****Part-Number: 9200-300-003**

Part: operating foil time scala

Part-Number: 9200-300-002



PLATON SERVICE
8 (800) 500-34-47
www.platonservice.com

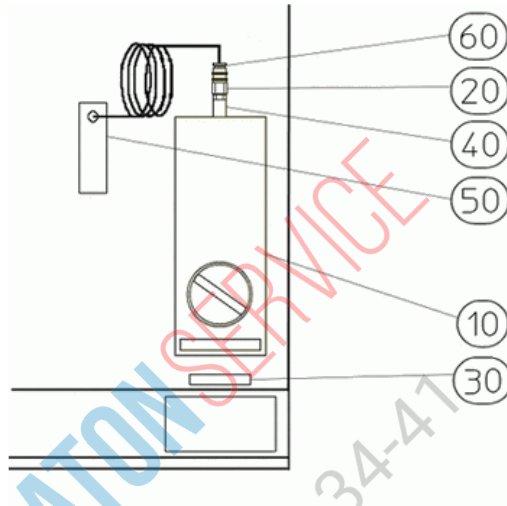
Service manual tank MINIMAT 3 240V 60Hz

Version:

Ident:

Series:

Part-Number:



Chapter

- [010] - 401268 - tank Minimat with quick connect
- [011] - 401137 - water tank
- [020] - E 100502 - quick connect tank
- [030] - 401141 - tank lid magnet
- [040] - 100515 - plug nipple tank
- [050] - 100529 - float switch
- [060] - 37882 - level sensor connection

Part: tank Minimat with quick connect

Part-Number: 401268



Part: water tank

Part-Number: 401137

Use only distilled water for refilling the tank. To prevent bacterial buildup we recommend to empty and clean the tank daily.



Part: quick connect tank

Part-Number: E 100502

In order to avoid a snap in into the quick connector the metal clips have been removed



Part: tank lid magnet

Part-Number: 401141



Part: plug nipple tank

Part-Number: 100515



Part: float switch

Part-Number: 100529

The level sensor controls the filling level of the tank. A signal is given when the remaining contents are at 10%.



Part: level sensor connection

Part-Number: 37882



Urheberrecht:

Das Urheberrecht an diesem Servicehandbuch verbleibt bei der WIESHEU GmbH. Dieses Servicehandbuch ist nur für autorisierte Servicepartner und dessen Personal bestimmt. Sie enthält Vorschriften und Hinweise, die weder vollständig noch teilweise vervielfältigt, verbreitet oder anderweitig mitgeteilt werden dürfen.

Alle Darstellungen, Zeichnungen, Bilder Texte und Angaben sind urheberrechtlich geschützt. Sie unterliegen den gewerblichen Schutzrechten.

Zu diesem Servicehandbuch:

Alle Abbildungen in diesem Dokument sollen die Verständlichkeit unterstützen. Die Abbildungen sind nicht maßstabsgerecht. Teilweise sind dem Originalprodukt ähnelnde Abbildungen dargestellt, die geringfügig abweichen können.

Achtung!

Vermeiden Sie Fehlfunktionen oder Beschädigungen durch falsche Ersatzteile. Wir empfehlen die ausschließliche Verwendung von WIESHEU-Original-Ersatzteilen.

Wiesheu GmbH
Daimlerstrasse 10
DE-71563 Affalterbach
Telefon: +49 (0)7144 / 3 03-0
Fax: +49 (0)7144 / 3 03-11
Service-Telefon: 0800-WIESHEU
E-Mail: info@wiesheu.de
www.wiesheu.de

Stand: 19.04.2012



PLATON SERVICE

8 (800) 500-34-47

www.platonservice.com